



**QZ** pneumatica

*sposobnost  
tehnologija  
preciznost*

**PROIZVODNI PROGRAM**



O FIRMI

# AZ pneumatica

## AZ Pneumatica s.r.l.

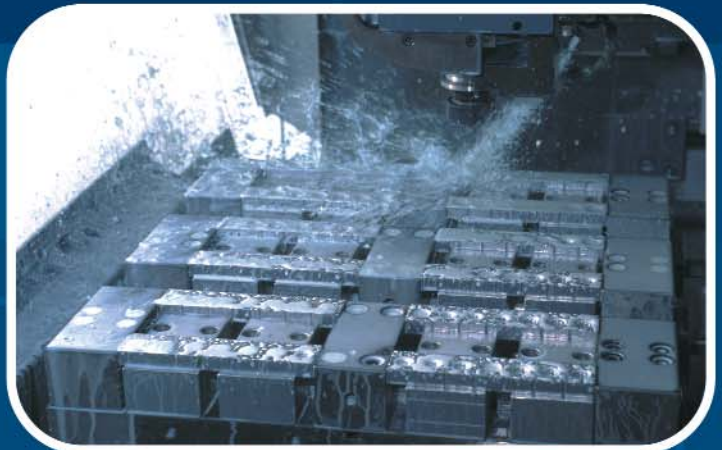
Via Marco Biagi, 6  
20826 MISINTO  
ITALIJA

Tel. +39-0296691100  
Fax +39-02966911240

<http://www.azpneumatica.com>  
[azpneu@tin.it](mailto:azpneu@tin.it)



U svojim proizvodnim pogonima AZ Pneumatica raspolaže sa dva numerički upravljana struga i osam CNC obradnih centara koji omogućavaju visoku produktivnost, konstantnu preciznost izrade i visokokvalitetnu proizvodnju komponenata. Stopostotna izlazna kontrola gotovih proizvoda je naš najbolji znak pouzdanosti.



Od svog osnivanja 1982. godine AZ Pneumatica proizvodi razvodnike, pneumatske cilindre i mnoge druge pneumatske komponente. Uz upotrebu najviših tehnologija AZ Pneumatica može danas ponuditi širok program proizvodnje koji će biti narednih godina dopunjavan novim proizvodima. Prodajna mreža pokriva čitavu Evropu i razvija se kako u EU tako i u ostalim evropskim državama.

Naši zastupnici omogućavaju najkraće rokove isporuke, nude kupcima kompetentnu tehničku podršku i daju kvalitetne odgovore na svako njihovo pitanje.

# MEHANIČKI AKTIVIRANI RAZVODNICI





$\varnothing 4$   
**304 MA**  
 M5  
**305 MA**




$\varnothing 4$   
**304 MR**  
 M5  
**305 MR**




$\varnothing 4$   
**304 MS**  
 M5  
**305 MS**




$\varnothing 4$   
**304 MV**  
 M5  
**305 MV**




G1/8"  
**321 MP**



**521 MP**




G1/8"  
**321 MPS**




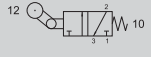
**521 MPS**





G1/8"  
**321 MR**




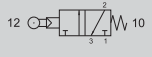
**521 MR**

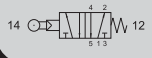
G1/8"  
**321 MRU**



**521 MRU**

G1/8"  
**321 MRS**



**521 MRS**




G1/8"  
**321 MN**



**521 MN**




G1/8"  
**431 MP**



**451 MP**




G1/8"  
**431 MR**



**451 MR**





G1/8"  
**431 MRL**



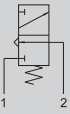
**451 MRL**



# RUČNO AKTIVIRANI RAZVODNICI



ø4  
**304 MB**  
 M5  
**305 MB**





ø4  
**304 MGG**  
**304 MGR**  
**304 MGV**  
**304 MGN**



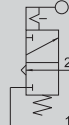


G1/8"  
**431 MGG**  
**431 MGR**  
**431 MGV**  
**431 MGN**




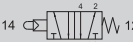

G1/8"  
**451 MGG**  
**451 MGR**  
**451 MGV**  
**451 MGN**

M5  
**305 LL**

G1/8"  
**321 MB**  
**521 MB**


G1/8"  
**321 MB90**  
**521 MB90**





**RM 010**



**RM 050 R**



**RM 300 N**




G1/4"  
**PED 502 M**  
**PED 502 B**

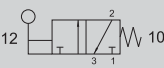
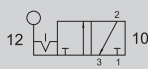
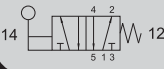
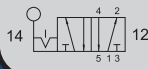





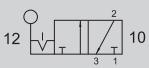
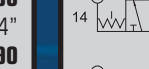



ø4  
**PED 304 M**





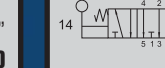

G1/8"  
**321 ML90**  
 G1/4"  
**322 ML90**  
 G1/8"  
**521 ML90**  
 G1/4"  
**522 ML90**

G1/8"  
**321 LL90**  
 G1/4"  
**322 LL90**  
 G1/8"  
**521 LL90**  
 G1/4"  
**522 LL90**

G1/8"  
**5213C LL90**  
**5213A LL90**  
**5213P LL90**  
 G1/4"  
**5223C LL90**  
**5223A LL90**  
**5223P LL90**










G1/8"  
**5213C ML90**  
**5213A ML90**  
**5213P ML90**  
 G1/4"  
**5223C ML90**  
**5223A ML90**  
**5223P ML90**



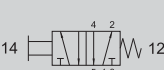







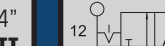
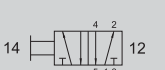











G1/8"  
**321 MT**  
 G1/4"  
**322 MT**  
 G1/8"  
**521 MT**  
 G1/4"  
**522 MT**


G1/8"  
**321 TT**  
 G1/4"  
**322 TT**  
 G1/8"  
**521 TT**  
 G1/4"  
**522 TT**

G1/8"  
**321 LL**  
 G1/4"  
**322 LL**  
 G1/8"  
**521 LL**  
 G1/4"  
**522 LL**

G1/8"  
**5213A ML**



# PNEUMATSKI AKTIVIRANI RAZVODNICI



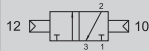
G1/8"  
**321 MC**  
G1/4"  
**322 MC**



G1/8"  
**521 MC**  
G1/4"  
**522 MC**



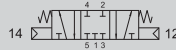
G1/8"  
**321 CC**  
G1/4"  
**322 CC**



G1/8"  
**521 CC**  
G1/4"  
**522 CC**



G1/8"  
**5213C CC**  
**5213A CC**  
**5213P CC**

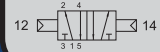


G1/4"  
**5223C CC**  
**5223A CC**  
**5223P CC**



ISO 1

**152 MC**



**152 CFP**

**152 CC**



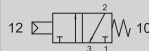
ISO 1

**153C CC**  
**153A CC**  
**153P CC**



NAMUR

**382 MC**

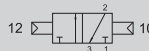


**582 MC**



NAMUR

**382 CC**



**582 CC**



VDMA 18 mm

**851 MC**

**851 CFP**

**851 CC**



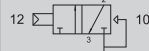
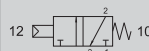
VDMA  
18 mm

**8513C CC**  
**8513A CC**

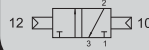


18 mm  
G1/8"

**731 MC**



**731 CFP**



**731 CC**



18 mm  
G1/8"

**751 MC**



**751 CFP**



**751 CC**



G1/2"

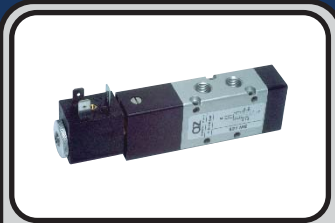
**324 MC**

**524 MC**





# ELEKTROMAGNETNI RAZVODNICI



G1/8"  
**321 ME**  
 G1/4"  
**322 ME**  
 G1/8"  
**521 ME**  
 G1/4"  
**522 ME**



G1/8"  
**321 ME AS**  
 G1/4"  
**322 ME AS**  
 G1/8"  
**521 ME AS**  
 G1/4"  
**522 ME AS**



G1/8"  
**321 EE**  
 G1/4"  
**322 EE**  
 G1/8"  
**521 EE**  
 G1/4"  
**522 EE**



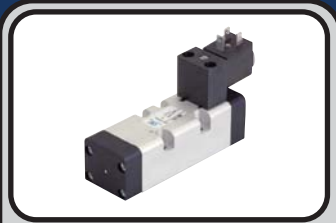
G1/8"  
**321 EE AS**  
 G1/4"  
**322 EE AS**  
 G1/8"  
**521 EE AS**  
 G1/4"  
**522 EE AS**



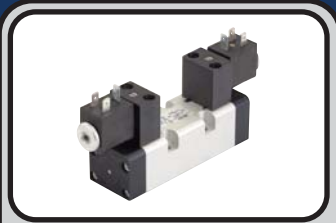
G1/8"  
**5213C EE**  
**5213A EE**  
**5213P EE**  
 G1/4"  
**5223C EE**  
**5223A EE**  
**5223P EE**



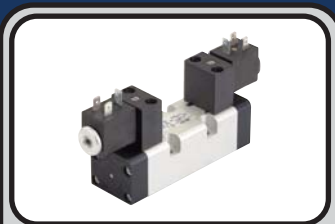
G1/8"  
**5213C EE AS**  
**5213A EE AS**  
**5213P EE AS**  
 G1/4"  
**5223C EE AS**  
**5223A EE AS**  
**5223P EE AS**



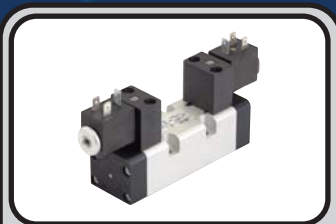
ISO 1  
**152 ME**  
**152 EFP**  
**152 ME AS**



ISO 1  
**152 EE**  
**152 EE AS**



ISO 1  
**153C EE**  
**153A EE**  
**153P EE**



ISO 1  
**153C EE AS**  
**153A EE AS**  
**153P EE AS**



NAMUR  
**382 ME**  
**582 ME**



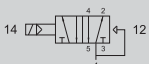
NAMUR  
**382 EE**  
**582 EE**



VDMA 18 mm



**851 ME**



**851 EFP**



**851 ME AS**



VDMA 18 mm



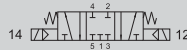
**851 EE**



**851 EE AS**



VDMA  
18 mm



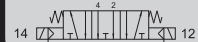
**8513C EE**  
**8513A EE**



VDMA  
18 mm



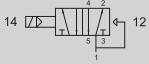
**8513C EE AS**  
**8513A EE AS**



18 mm  
G1/8"



**751 ME**



**751 EFP**



**751 ME AS**



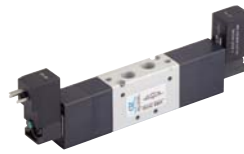
18 mm  
G1/8"



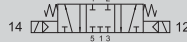
**751 EE**



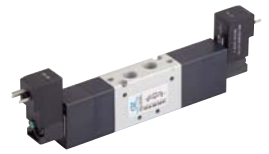
**751 EE AS**



18 mm  
G1/8"



**7513C EE**  
**7513A EE**



18 mm  
G1/8"



**7513C EE AS**  
**7513A EE AS**



18 mm  
G1/8"



**731 ME**



**731 EFP**



**731 ME AS**



18 mm  
G1/8"



**731 EE**



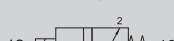
**731 EE AS**



G1/8"  
NC: **00.051.3**  
NA: **00.088.3**



G1/4"  
NC: **01.005.3**  
NA: **01.066.3**



G1/2"



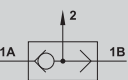
**324 ME**



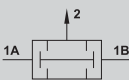
**524 ME**



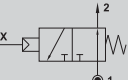
**OR**  $\varnothing 4$   
**08.021.4**  
 M5  
**08.022.4**  
 G1/8"  
**08.023.4**



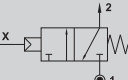

**AND**  $\varnothing 4$   
**08.025.4**  
 M5  
**08.026.4**  
 G1/8"  
**08.027.4**



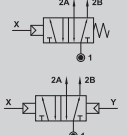

**NOT**  $\varnothing 4$   
**08.039.4**



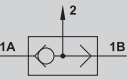

**YES**  $\varnothing 4$   
**08.049.4**



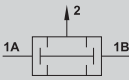
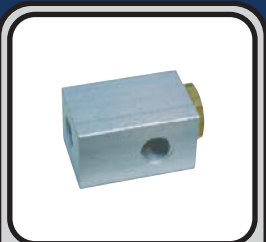

**memorijski elementat**  $\varnothing 4$   
**04.003.4**  
**04.002.4**



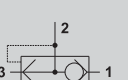

**OR** G1/8"  
**08.133.4**  
 G1/4"  
**08.127.4**




**AND** G1/8"  
**08.121.4**

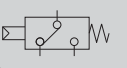
**brzoispusni ventil** G1/8"  
**08.180.4**  
 G1/4"  
**08.181.4**  
 G1/2"  
**36.625.0**



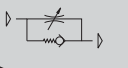

G1/8": **AZ-CRS1**  
 G1/4": **AZ-CRS2**  
 G3/8": **AZ-CRS3**  
 G1/2": **AZ-CRS4**



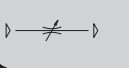
**prekidač** G1/8"  
**TRP 8**



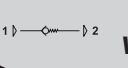

**RFU M5**  
**RFU 1/8.2**  
**RFU 1/8.3**  
**RFU 1/4**  
**RFU 3/8**  
**RFU 1/2**



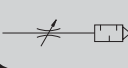

**RFB M5**  
**RFB 1/8**  
**RFB 1/4**  
**RFB 3/8**  
**RFB 1/2**





**VNR M5 FF**  
**VNR 1/8 FF**  
**VNR 1/8 MF**  
**VNR 1/4 FF**  
**VNR 1/4 MF**




**RSW 1/8**  
**RSW 1/4**  
**RSW 3/8**  
**RSW 1/2**




**RSTC 1/8**  
**RSTC 1/4**




**VS100**  
**VS110**  
**VS400**  
**VS405**



**razdeljivači**



**presostati**





RP020



RP115



RP230



RP560



RG053



RP215



RP225



RP040



RP030



RP700



RC030



RC400



RC110



RC510



RC620



RC625



RC600



RC500



RC320



RC321



RZ120



RZ140



RZ230



RZ500



RZ330



RZ300



Rilsan PA11:  
**PA11A** (plavo)  
**PA11N** (providno)  
 Poliuretan:  
**PU** (plavo)



# INTEGRIRANI ELEMENTI

oscilator



01.044.4  
01.046.4  
01.008.3

flip-flop



10.018.3  
10.035.4

dvopritisni ventil



00.047.4  
00.008.3  
10.007.4  
10.006.3

generator impulsa



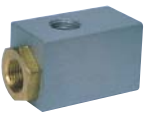
NO: 10.001.4  
NC: 10.009.4

slow-start ventil



10.003.3

vakum generator



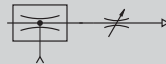
DP 2010 E

vakum generator sa nepovratnim ventilom



DP 2018 F

vakumski raspršivač



DP 2005

sigurnosni dvoručni ventil

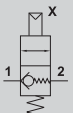


08.156.4

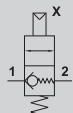
tajmer za automatski povratni hod cilindra



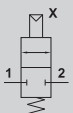
00.074.4



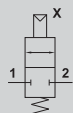
G1/8"  
11.044.4



G1/4"  
11.076.4



G1/8"  
11.066.4



G1/4"  
11.077.4

cilindri ISO 6431 VDMA



ø32 ... ø200

KIT cilindri ISO 6431



ø32 ... ø200

filteri



G1/4" **FIL 2-25-S**  
 G3/8" **FIL 3-30-S**  
 G1/2" **FIL 4-30-S**  
 G1" **FIL 6-30-S**

regulatori pritiska



G1/4" **REG 2-08**  
 G3/8" **REG 3-08**  
 G1/2" **REG 4-08**  
 G1" **REG 6-10**

zauljivači



G1/4" **LUB 2-00**  
 G3/8" **LUB 3-00**  
 G1/2" **LUB 4-00**  
 G1" **LUB 6-00**

filter regulatori



G1/4" **FR 2-08-25-S**  
 G3/8" **FR 3-08-30-S**  
 G1/2" **FR 4-08-30-S**  
 G1" **FR 6-10-30-S**

FR+L



G1/4" **FR+L 2-08-25-S**  
 G3/8" **FR+L 3-08-30-S**  
 G1/2" **FR+L 4-08-30-S**  
 G1" **FR+L 6-10-30-S**

FRL



G1/4" **FRL 2-08-25-S**  
 G3/8" **FRL 3-08-30-S**  
 G1/2" **FRL 4-08-30-S**  
 G1" **FRL 6-10-30-S**

shut-off ventil



G3/8" **SR M-3**  
 G1/2" **SR M-4**  
 G1" **SR M-6**

brzoispusni ventil



G3/8" **SCR 3-E**  
 G1/2" **SCR 4-E**

slow-start ventil



G3/8" **AVP 3-00**  
 G1/2" **AVP 4-00**

proporcionalni regulator pritiska



G3/8" **RPE 3 V NC**  
**RPE 3 V NA**  
 G1/2" **RPE 4 V NC**  
**RPE 4 V NA**

mikrocilindri ISO 6432



ø10 ... ø25

okrugli cilindri



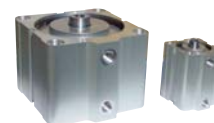
ø32 ... ø63

kompaktni cilindri



ø32 ... ø100

kratkohodni cilindri



ø16 ... ø100

cilindri bez klipnjače



ø16, 25, 32, 40, 63



#### **ITALIJA**

AZ Pneumatica s.r.l.

Via M. Biagi 6

20826 MISINTO

Tel. +39-0296691100

Fax +39-02966911240

azpneu@tin.it

<http://www.azpneumatica.com>