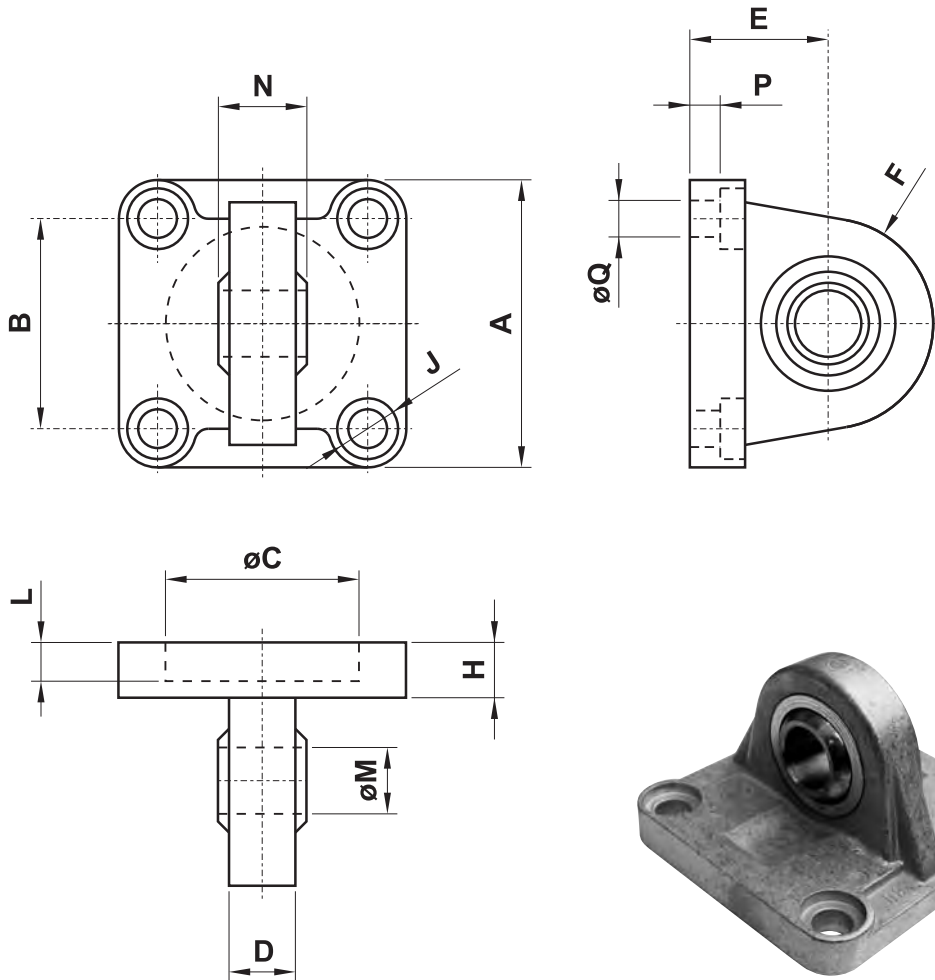
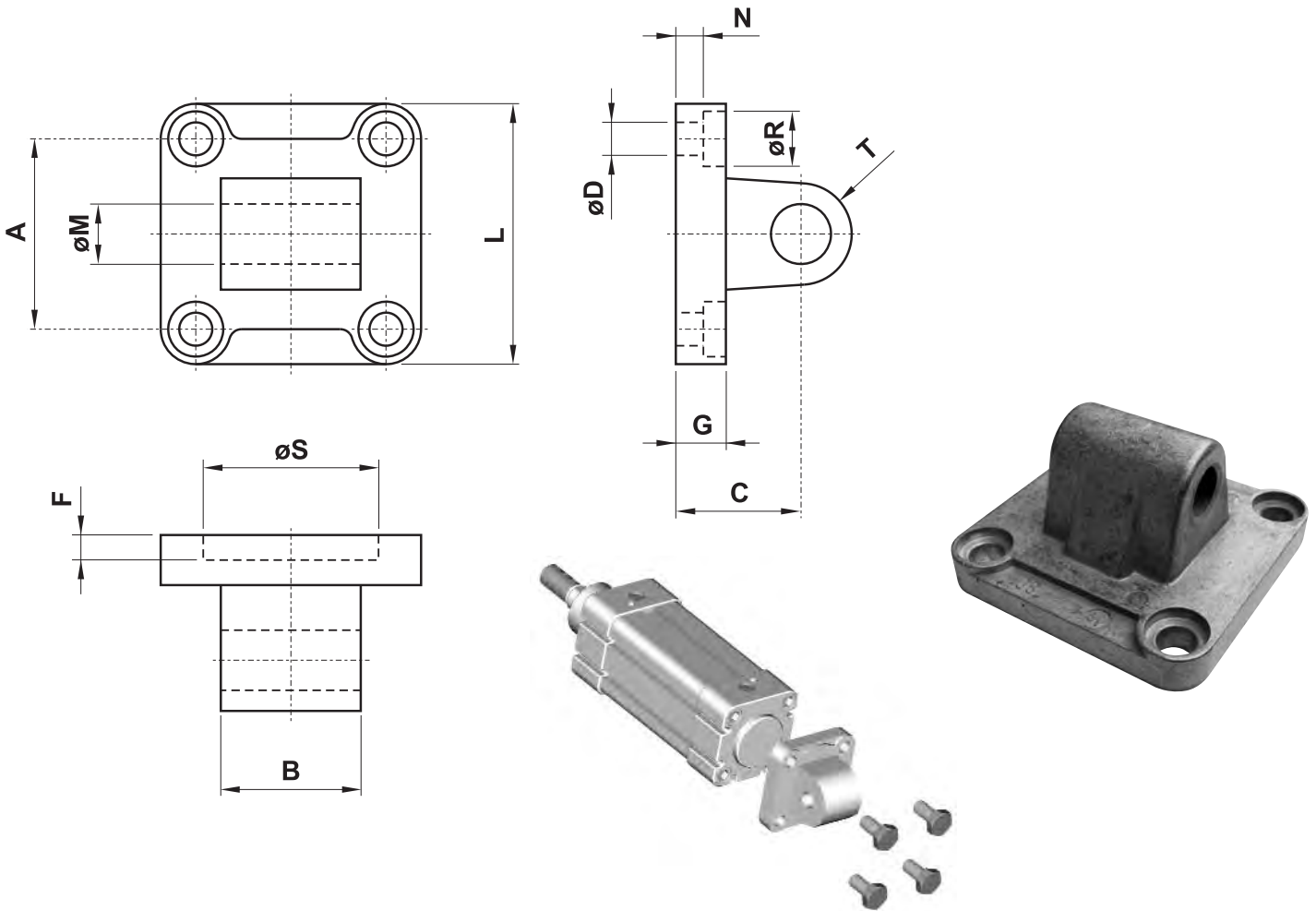


CERNIERA MASCHIO STRETTA CON TESTINA SNODATA DIN 648 K (narrow male hinge with articulated head DIN 648 K)



sigla part number	per alesaggio for bore	A	B	C	D	E	F	H	J	L	M	N	P	Q
CMSS032	32	45	32.5	30	10.5	22	16	9	ø11	5	10	14	5.5	6.6
CMSS040	40	52	38	35	12	25	19	9	ø11	5	12	16	5.5	6.6
CMSS050	50	65	46.5	40	15	27	21	11	ø15	5	16	21	6.5	9
CMSS063	63	75	56.5	45	15	32	24	11	ø15	5	16	21	6.5	9
CMSS080	80	95	72	45	18	36	28.5	14	ø18	5	20	25	10	11
CMSS100	100	115	89	55	18	41	30	14	ø18	5	20	25	10	11
CMSS125	125	140	110	60	25	50	40	20	ø20	7	30	37	10	13.5
CMSS160	160	180	140	65	28	55	45	20	ø26	7	35	43	10	18
CMSS200	200	220	175	75	28	60	48	25	ø26	7	35	43	11	18

CERNIERA MASCHIO MP4 (male hinge MP4)



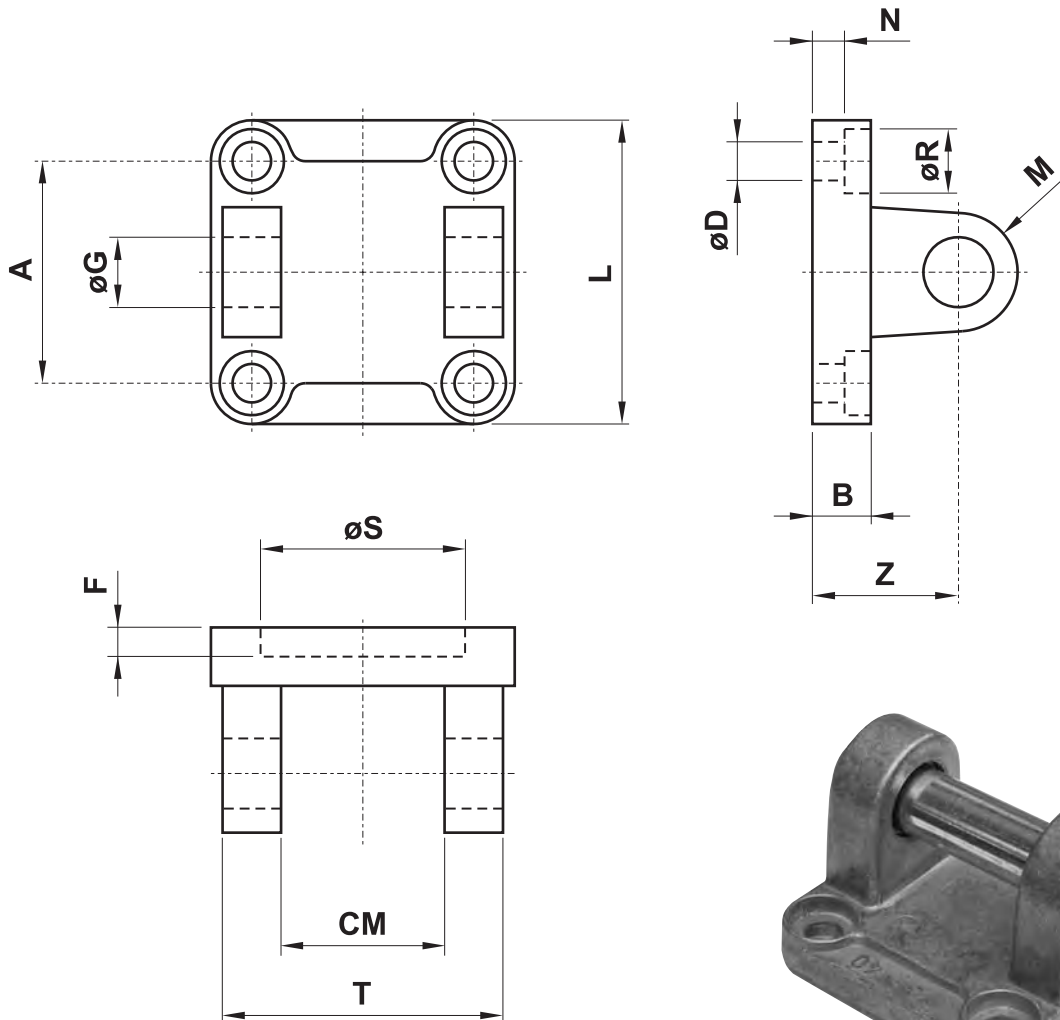
sigla part number	sigla part number	per alesaggio for bore	A	B	C	D	F	G	L	M	N	R	S	T
standard	con boccola di bronzo													
	CMKS025 (*)	25	26	16	20	5.5	3	6	38	8	2.6	10	12	8
CMIS032	CMKS032	32	32.5	26	22	6.6	5	9	45	10	5.5	11	30	10
CMIS040	CMKS040	40	38	28	25	6.6	5	9	52	12	5.5	11	35	12
CMIS050	CMKS050	50	46.5	32	27	9	5	11	65	12	6.5	15	40	12
CMIS063	CMKS063	63	56.5	40	32	9	5	11	75	16	6.5	15	45	16
CMIS080	CMKS080	80	72	50	36	11	5	14	95	16	10	18	45	16
CMIS100	CMKS100	100	89	60	41	11	5	14	115	20	10	18	55	20
CMIS125	CMKS125	125	110	70	50	14	7	20	140	25	10	20	60	25
CMIS160	CMKS160	160	140	90	55	18	7	20	180	30	10	26	65	25
CMIS200	CMKS200	200	175	90	60	18	7	25	220	30	11	26	75	25

* CMKS025: utilizzabile solo per i cilindri compatti ISO 21287 (vedi pag. 604)

* CMKS025: it can be used only for compact cylinders ISO 21287 (refer to page 604)

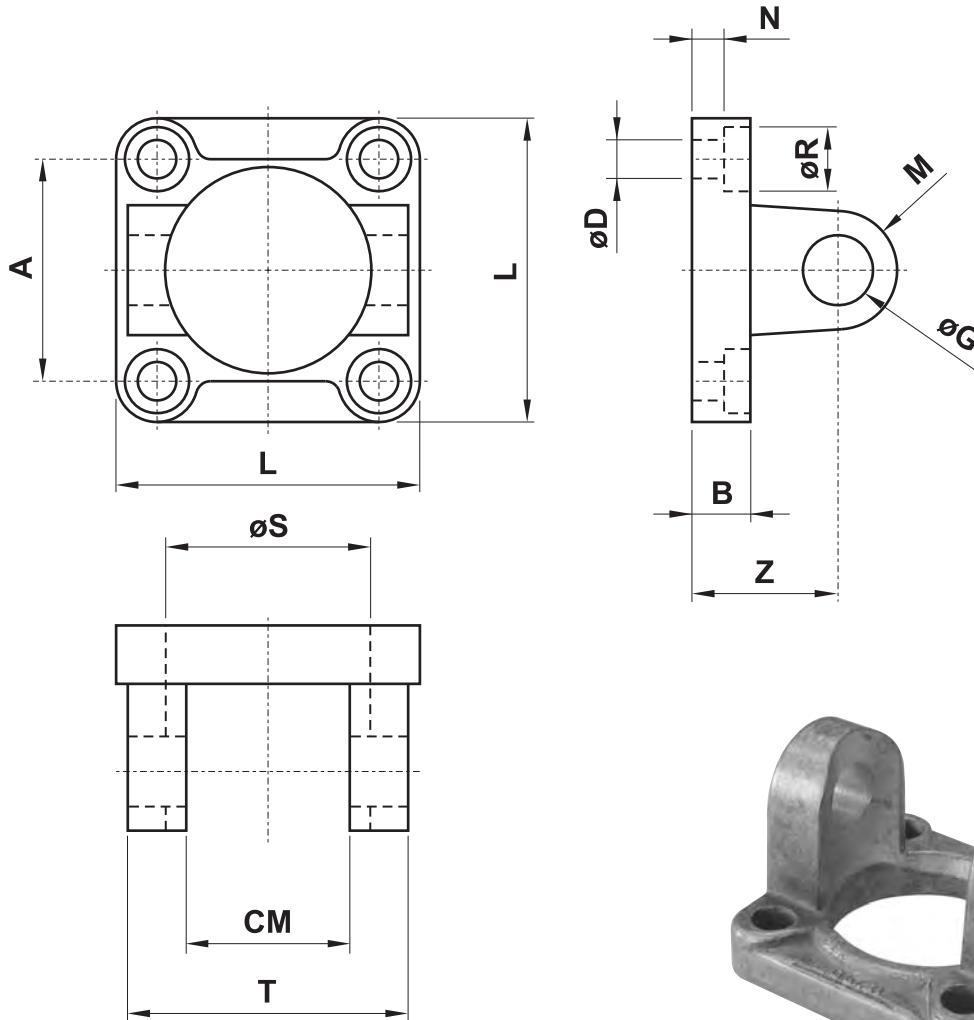


CERNIERA FEMMINA MP2 CON PERNO (female hinge MP2 with pin)



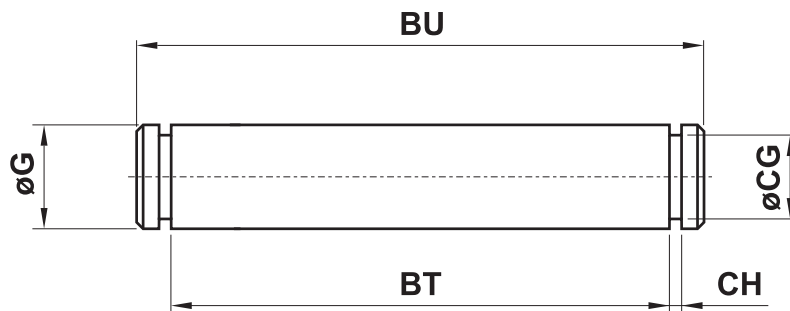
sigla part number	sigla part number	per alesaggio for bore	A	B	CM	D	F	G	L	M	N	R	S	T	Z
standard	con boccola di bronzo														
CFIS032	CFKS032	32	32.5	9	26	6.6	5	10	45	10	5.5	11	30	45	22
CFIS040	CFKS040	40	38	9	28	6.6	5	12	52	12	5.5	11	35	52	25
CFIS050	CFKS050	50	46.5	11	32	9	5	12	65	12	6.5	15	40	60	27
CFIS063	CFKS063	63	56.5	11	40	9	5	16	75	16	6.5	15	45	70	32
CFIS080	CFKS080	80	72	14	50	11	5	16	95	16	10	18	45	90	36
CFIS100	CFKS100	100	89	14	60	11	5	20	115	20	10	18	55	110	41
CFIS125	CFKS125	125	110	20	70	14	7	25	140	25	10	20	60	130	50
CFIS160	CFKS160	160	140	20	90	18	7	30	180	25	10	26	65	170	55
CFIS200	CFKS200	200	175	25	90	18	7	30	220	25	11	26	75	170	60

CERNIERA FEMMINA ANTERIORE CON FORO, SENZA PERNO (female front hinge with passing-through hole, without pin)



sigla part number	per alesaggio for bore	A	B	CM	D	G	L	M	N	R	S	T	Z
standard													
CAIS032SP	32	32.5	9	26	6.6	10	45	10	5.5	11	30	45	22
CAIS040SP	40	38	9	28	6.6	12	52	12	5.5	11	35	52	25
CAIS050SP	50	46.5	11	32	9	12	65	12	6.5	15	40	60	27
CAIS063SP	63	56.5	11	40	9	16	75	16	6.5	15	45	70	32
CAIS080SP	80	72	14	50	11	16	95	16	10	18	45	90	36
CAIS100SP	100	89	14	60	11	20	115	20	10	18	55	110	41
CAIS125SP	125	110	20	70	14	25	140	25	10	20	60	130	50

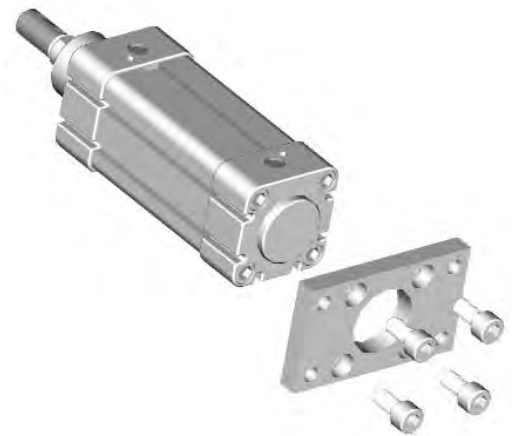
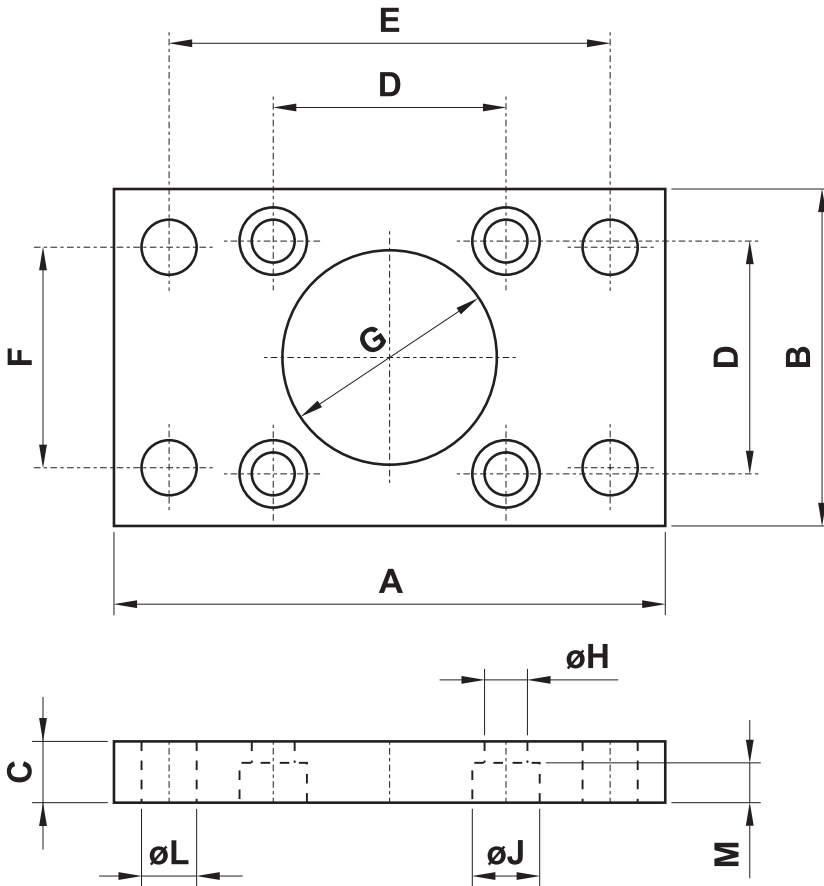
PERNO PER CERNIERA FEMMINA MP2 (pin for female hinge MP2)



sigla <i>part number</i>	per alesaggio <i>for bore</i>	øG	BT	øCG	CH	BU
PERNO/32	32	10	46	9.6	1.1	53
PERNO/40	40	12	53	11.5	1.1	60
PERNO/50	50	12	61	11.5	1.1	68
PERNO/63	63	16	71	15.2	1.1	78
PERNO/80	80	16	91	15.2	1.1	98
PERNO/100	100	20	111	19	1.3	118
PERNO/125	125	25	132	23.9	1.3	139
PERNO/160	160-200	30	171.5	28.6	1.6	178

Il perno è fornito in kit con i necessari anelli seeger
The pin is supplied in kit with all necessary seeger rings

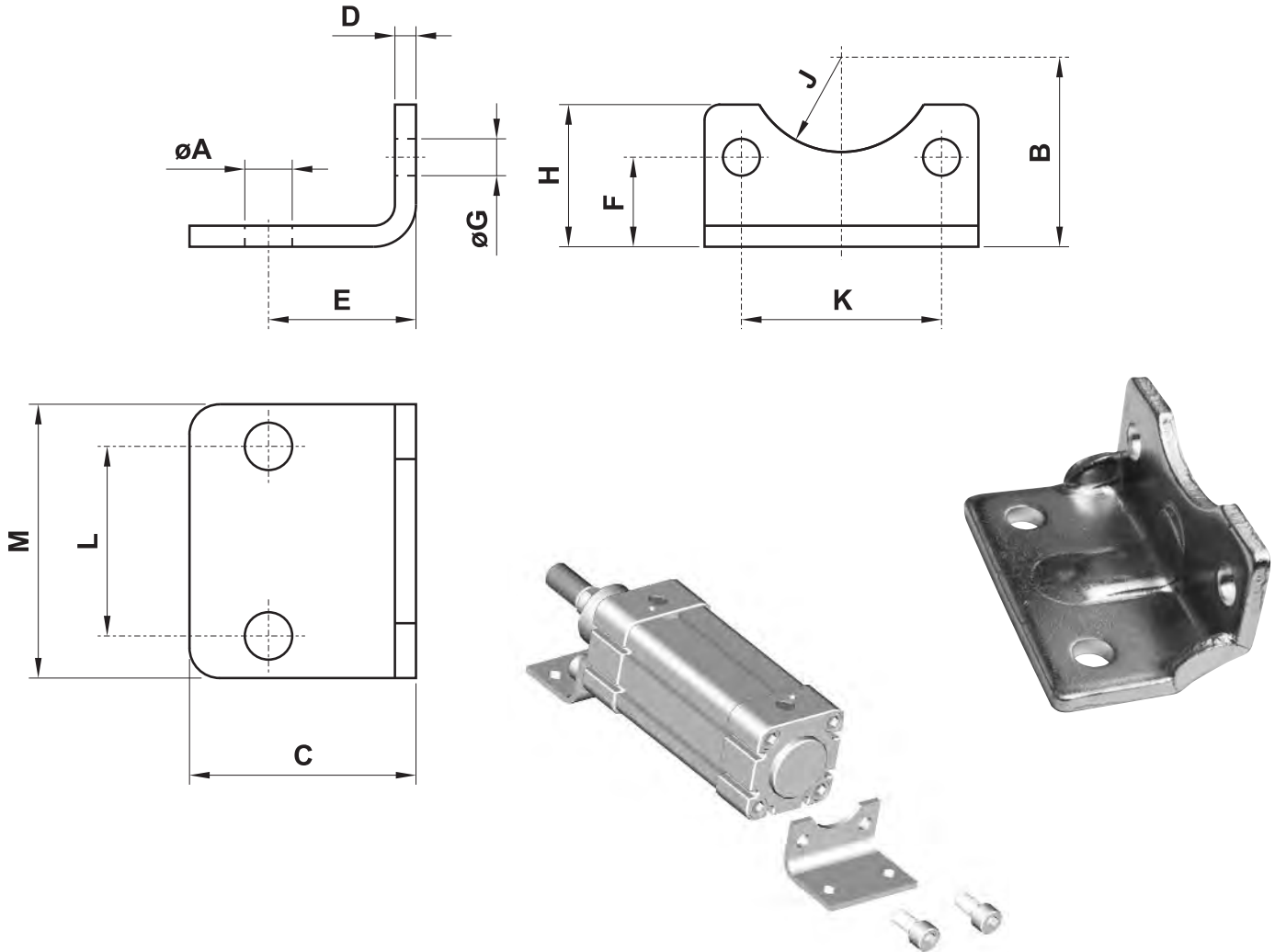
FLANGIA (flange)



6

sigla part number	per alesaggio for bore	A	B	C	D	E	F	G	H	J	L	M
FLIS032	32	80	45	10	32.5	64	32	ø30	6.6	10.5	7	6.5
FLIS040	40	90	52	10	38	72	36	ø35	6.6	11	9	6.5
FLIS050	50	110	65	12	46.5	90	45	ø40	9	15	9	8.5
FLIS063	63	120	75	12	56.5	100	50	ø45	9	15	9	8.5
FLIS080	80	150	95	16	72	126	63	ø45	11	18	12	10.5
FLIS100	100	170	115	16	89	150	75	ø55	11	18	14	10.5
FLIS125	125	205	140	20	110	180	90	ø60	13.5	20	16	12.5
FLIS160	160	260	180	20	140	230	115	ø65	18	26	18	16.5
FLIS200	200	300	220	25	175	270	135	ø75	18	26	22	16.5

PIEDINO (foot mounting)

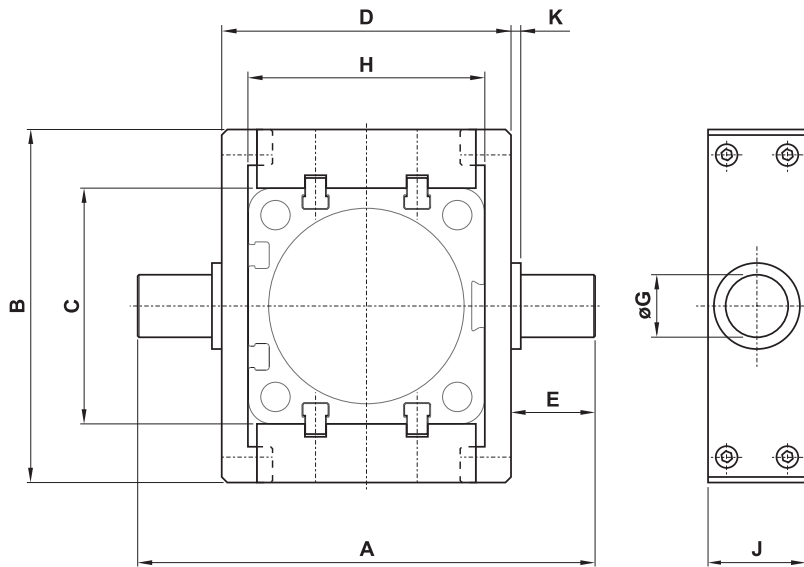


sigla* part number*	per alesaggio for bore	A	B	C	D	E	F	G	H	J	K	L	M
PBIS032	32	7	32	35	4	24	15.75	7	30	15	32.5	32	45
PBIS040	40	9	36	36	4	28	17	7	30	17.5	38	36	52
PBIS050	50	9	45	47	5	32	21.75	9	36	20	46.5	45	65
PBIS063	63	9	50	45	5	32	21.75	9	35	22.5	56.5	50	75
PBIS080	80	12	63	55	6	41	27	11	47	22.5	72	63	95
PBIS100	100	14	71	57	6	41	26.5	11	53	27.5	89	75	115
PBIS125	125	16	90	70	8	45	35	14	70	30	110	90	140
PBIS160	160	18	115	75	9	60	45	18	100	32.5	140	115	180
PBIS200	200	22	135	100	12	70	47.5	18	100	37.5	175	135	220

* La sigla si riferisce a un solo piedino e non alla coppia

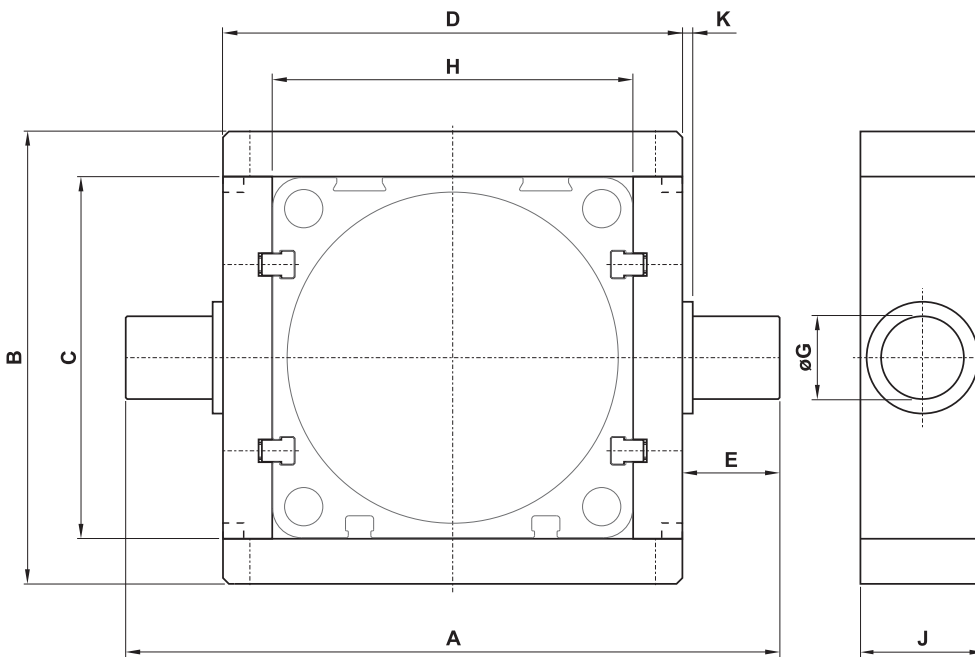
* The part number is referred to only one element and not to the couple

CERNIERA INTERMEDIA PER ESTRUSO - SOLO PER SERIE "N" (intermediate trunnion - ONLY FOR SERIES "N")



alesaggi: 32, 40, 50

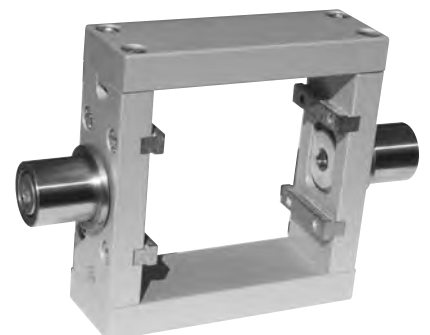
bores: 32, 40, 50



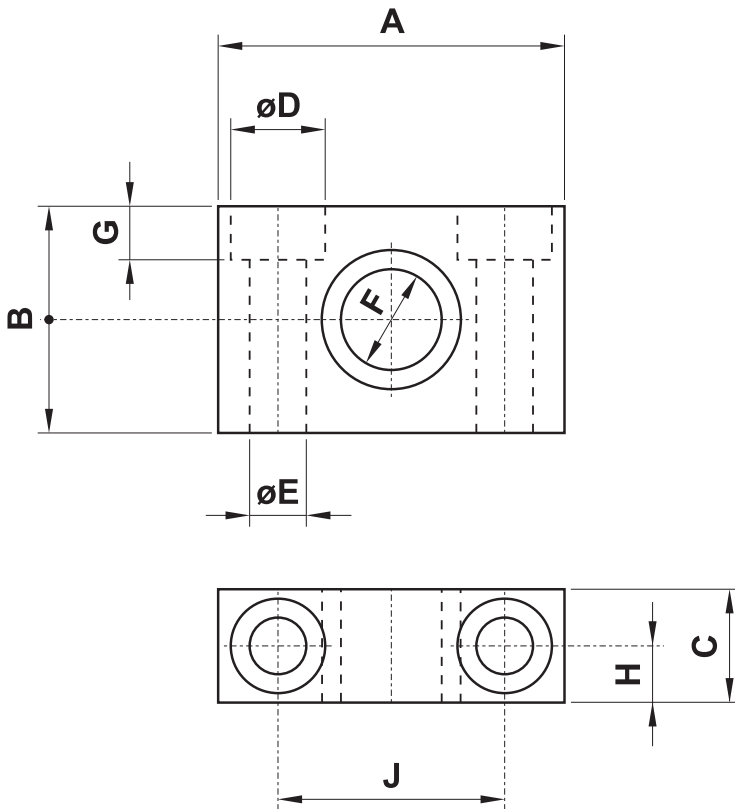
alesaggi: 63, 80, 100, 125

bores: 63, 80, 100, 125

sigla part number	per alesaggio for bore	A	B	C	D	E	G	H	J	K
CIN032	32	87	65	44.5	52	17.5	12	45	25	2
CIN040	40	105	74.8	50.5	62	21.5	16	51	25	2.5
CIN050	50	117	90.3	60.3	74	21.5	16	60.8	25	2.5
CIN063	63	136	94.5	70.5	91	22.5	20	70	30	2.5
CIN080	80	156	109.3	87.5	111	22.5	20	87	30	2.5
CIN100	100	195	134	106.6	129	33	25	106	40	2.5
CIN125	125	223	160	132.6	157	33	25	132	40	2.5



SNODO PER CERNIERA INTERMEDIA (support for intermediate trunnion)

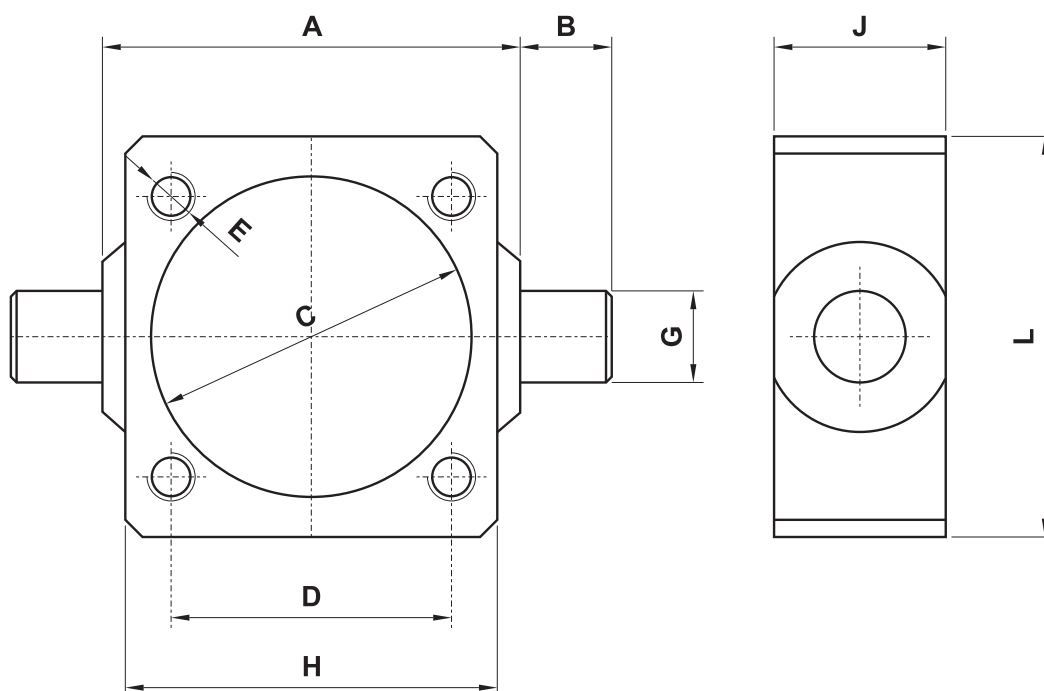


sigla* part number*	per alesaggio for bore	A	B	C	D	E	F	G	H	J
SNINT 032 B	32	46	30	15	10.5	6.5	∅12	6.5	7.5	32
SNINT 040-050 B	40-50	55	35	20	14	9	∅16	8	10	36
SNINT 063-080 B	63-80	65	40	20	17	11	∅20	12	10	42
SNINT 100-125 B	100-125	75	50	30	19	14	∅25	10	15	50

* La sigla si riferisce a una coppia di snodi

* The part number is referred to a couple of elements

CERNIERA INTERMEDIA FISSA (fixed intermediate trunnion) per cilindri da alesaggio 160 e 200 versione a tiranti

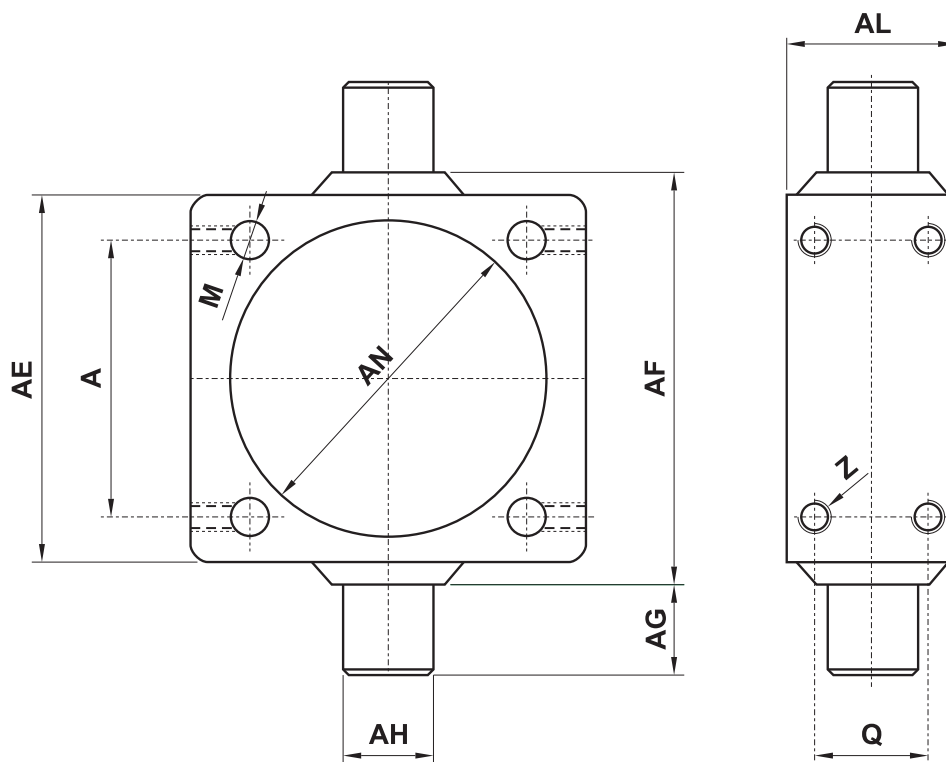


Questa cerniera intermedia può essere montata solo su cilindri a tubo tondo con tiranti. Al momento dell'ordine dei cilindri specificare chiaramente questa caratteristica, fornendo anche precise indicazioni riguardo alla posizione di montaggio della cerniera sul cilindro.

This fixing element can be mounted only on a cylinder with round barrel and tie-rods. The request for cylinders with tie-rods must be clearly specified on the order. On the order please specify also the position where the fixing element should be mounted on the cylinder.

sigla part number	per alesaggio for bore	A	B	C	D	E	G	H	J	L
CSIS160TI	160	200	32	∅171	140	M16	∅32	190	40	190
CSIS200TI	200	250	32	∅211	175	M16	∅32	240	40	240

CERNIERA INTERMEDIA REGOLABILE MT4 (adjustable intermediate trunnion MT4) per cilindri da alesaggio 32 a 200 versione a tiranti



Questa cerniera intermedia può essere montata solo su cilindri a tubo tondo con tiranti.

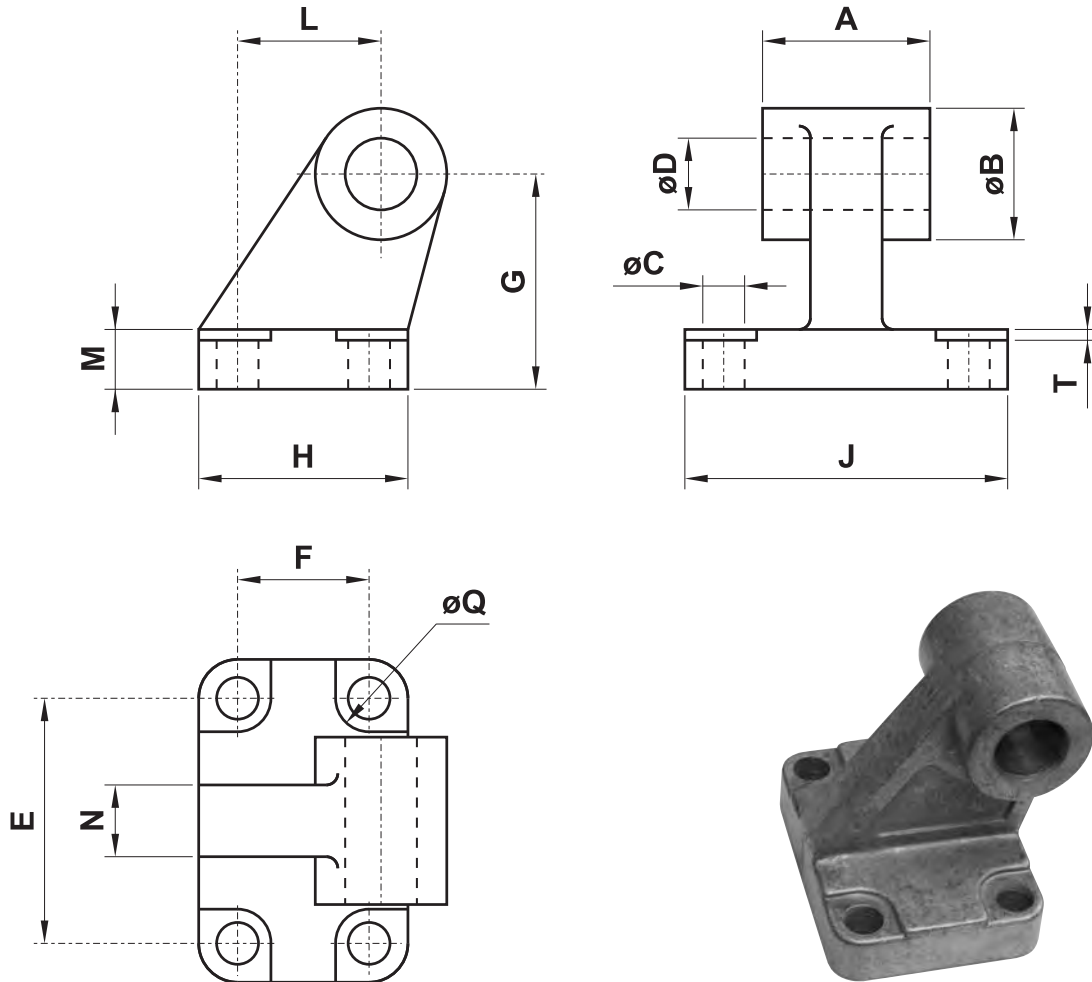
ATTENZIONE: La cerniera intermedia regolabile, anche se ben fissata sul cilindro, a motivo del carico può scivolare e causare spiacevoli inconvenienti. Per evitare tutto ciò si consiglia di usare una cerniera intermedia fissa!

This intermediate trunnion can be mounted only on a cylinder with round barrel and tie-rods.

ATTENTION: This adjustable intermediate trunnion, even if it is correctly mounted on the cylinder, because of the weight can move and cause very serious injury. To avoid this danger it is better to use a fixed intermediate trunnion!

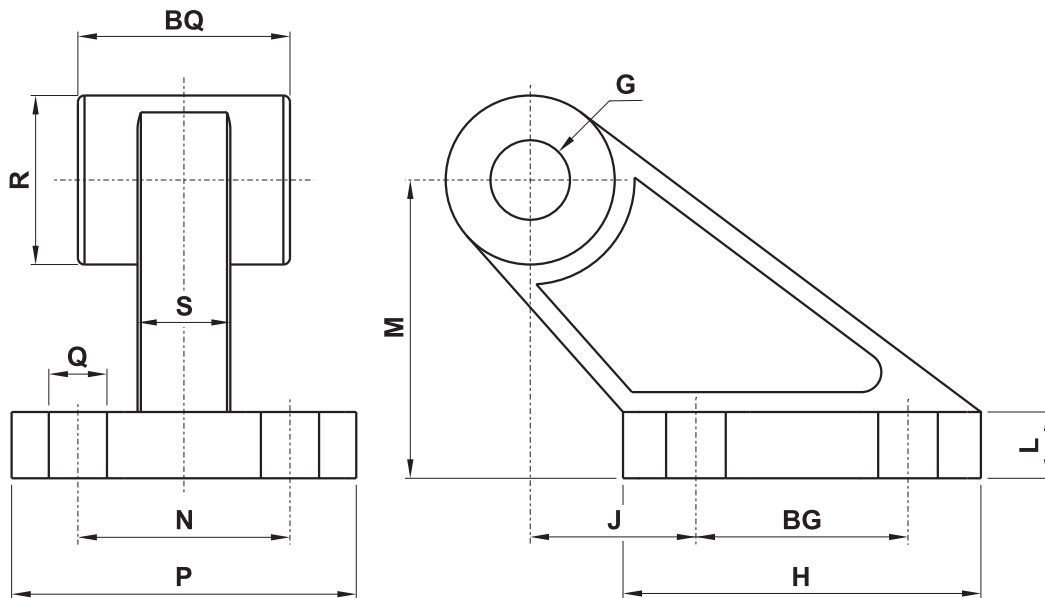
codice code	per alesaggio for bore	A	AE	AL	AH	AG	AF	AN	M	Q	Z
26.281.2N	32	32.5	46	15	∅12	12	50	∅37	∅6.25	7	M5
26.525.2N	40	38	59	20	∅16	16	63	∅46	∅6.25	8	M5
26.526.2N	50	46.5	69	20	∅16	16	75	∅56	∅8.25	8	M6
26.527.2N	63	56.5	84	25	∅20	20	90	∅69	∅8.25	12	M6
26.528.2N	80	72	102	25	∅20	20	110	∅87	∅10.25	12	M8
26.529.2N	100	89	125	30	∅25	25	132	∅107	∅10.25	15	M8
26.530.2N	125	110	155	32	∅25	25	160	∅134	∅12.25	15	M10
26.327.2N	160	140	190	40	∅32	32	200	∅171	∅16.25	18	M12
26.328.2N	200	175	240	40	∅32	32	250	∅211	∅16.25	18	M12

CONTROCERNIERA ORIZZONTALE A BASE RETTANGOLARE (rectangular joint) NORMA CETOP RP107P



sigla part number	per alesaggio for bore	A	B	C	D	E	F	G	H	J	L	M	N	Q	T
COIS032	32	26	20	6.6	10	38	18	32	31	51	21	8	10	11	1.6
COIS040	40	28	22	6.6	12	41	22	36	35	54	24	10	15	11	1.6
COIS050	50	32	26	9	12	50	30	45	45	65	33	12	16	15	1.6
COIS063	63	40	30	9	16	52	35	50	50	67	37	14	16	15	1.6
COIS080	80	50	30	11	16	66	40	63	60	86	47	14	20	18	2.5
COIS100	100	60	38	11	20	76	50	71	70	96	55	17	20	18	2.5
COIS125	125	70	45	14	25	94	60	90	90	124	70	20	30	20	3.2
COIS160	160	90	63	14	30	118	88	115	126	156	97	25	36	20	4
COIS200	200	90	63	18	30	122	90	135	130	162	105	30	40	26	4

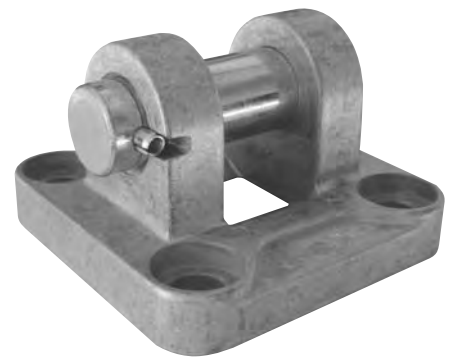
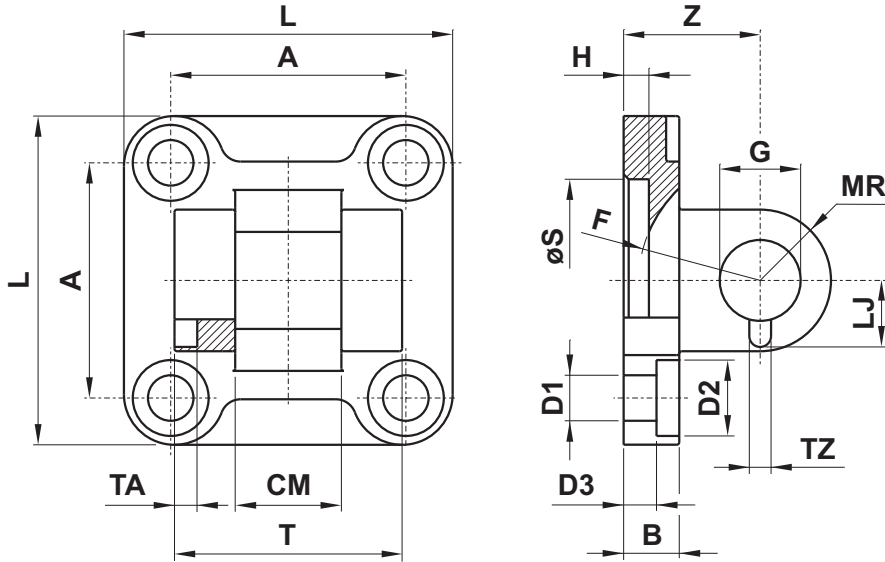
CONTROCERNIERA ORIZZONTALE A BASE RETTANGOLARE (rectangular joint) NORMA ISO 15552



sigla part number	per alesaggio for bore	Q	BG	H	J	L	M	N	P	S	R	BQ	G
COVDMA32	32	ø7	20	37	18	8	32	25	41	9	19	26	ø10
COVDMA40	40	ø9	32	54	25	10	45	32	52	14	25.5	28	ø12
COVDMA50	50	ø9	32	54	25	10	45	32	52	14	25.5	32	ø12
COVDMA63	63	ø11	50	75	32	12	63	40	63	14	32	40	ø16
COVDMA80	80	ø11	50	75	32	12	63	40	63	14	32	50	ø16
COVDMA100	100	ø14	70	103	40	17	90	50	80	22	42	60	ø20
COVDMA125	125	ø14	70	103	40	17	90	50	80	22	46	70	ø25
COVDMA160	160	ø18	110	154	50	20	140	63	110	26	53.5	89	ø30
COVDMA200	200	ø18	110	154	50	20	140	63	110	26	53.5	89	ø30



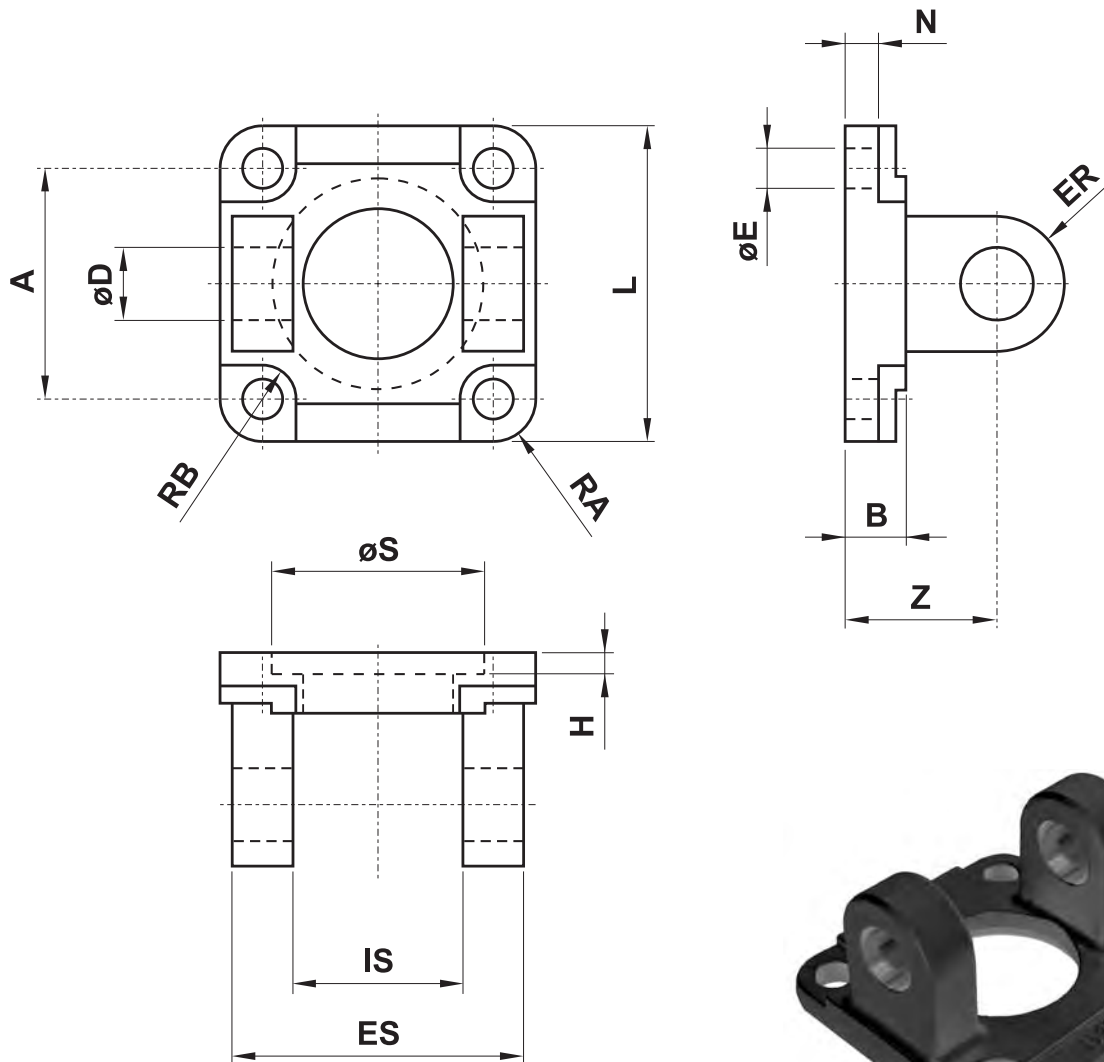
CERNIERA FEMMINA STRETTA PER ARTICOLAZIONE CON TESTINA SNODATA DIN 648 K (narrow female hinge for joint with articulated head DIN 648 K)



6

sigla part number	per alesaggio for bore	L	T	CM	A	Z	H	B	D3	S	G	MR	D1	D2	TA	TZ	LJ	F
CFSIS032	32	45	34	14	32.5	22	5	9	5.5	30	ø10	10	ø6.6	ø11	3	3.3	11.5	17
CFSIS040	40	52	40	16	38	25	5	9	5.5	35	ø12	12	ø6.6	ø11	4	4.3	12	20
CFSIS050	50	65	45	21	46.5	27	5	11	6.5	40	ø16	14	ø9	ø15	4	4.3	14	22
CFSIS063	63	75	51	21	56.5	32	5	11	6.5	45	ø16	18	ø9	ø15	4	4.3	14	25
CFSIS080	80	95	65	25	72	36	5	14	10	45	ø20	20	ø11	ø18	4	4.3	16	30
CFSIS100	100	115	75	25	89	41	5	14	10	55	ø20	22	ø11	ø18	4	6.3	16	32
CFSIS125	125	140	97	37	110	50	7	20	10	60	ø30	25	ø14	ø20	6	6.3	24	42
CFSIS160	160	180	122	43	140	55	7	20	10	65	ø35	30	ø18	ø26	6	6.3	26.5	46
CFSIS200	200	220	122	43	175	60	7	25	11	75	ø35	30	ø18	ø26	6	6.3	26.5	49

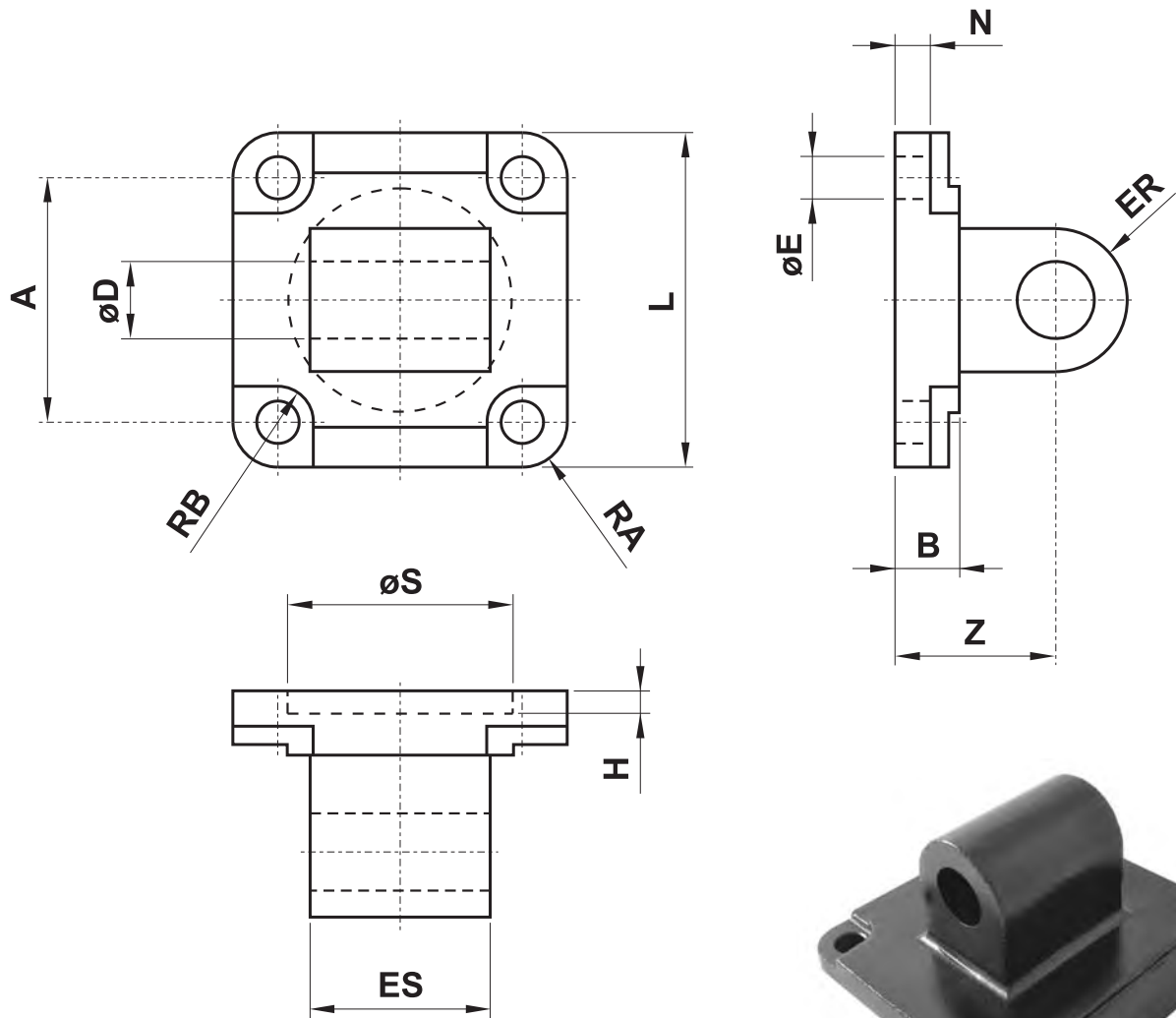
CERNIERA FEMMINA MP2 IN ACCIAIO CON PERNO (female hinge MP2 in steel, with pin)



Materiale: acciaio AVP; trattamento superficiale: cataforesi nera
Material: steel AVP; surface treatment: black cataphoresis

codice part number	per alesaggio for bore	L	ES	IS	A	Z	H	B	N	S	D	E	RB	ER	RA
in acciaio in steel															
26.001.2AC	32	45	45	26	32.5	22	5	8	5.5	30	10	6.6	5.5	10	6.25
26.002.2AC	40	55	52	28	38	25	5	8	5.5	35	12	6.6	5.5	12	8.5
26.003.2AC	50	65	60	32	46.5	27	5	10	6.5	40	12	9	7.5	12	9.25
26.004.2AC	63	75	70	40	56.5	32	5	10	6.5	45	16	9	7.5	15	9.25
26.005.2AC	80	95	90	50	72	36	-	13	10	45	16	11	9	15	11.5
26.006.2AC	100	115	110	60	89	41	-	13	10	55	20	11	9	20	13
26.007.2AC	125	140	130	70	110	50	-	16	10	60	25	13.5	10	25	15
26.008.2AC	160	180	170	90	140	55	-	20	10	65	30	18	13	25	20
26.009.2AC	200	220	170	90	175	60	-	20	11	75	30	18	13	25	22

CERNIERA MASCHIO MP2 IN ACCIAIO (male hinge MP2 in steel)

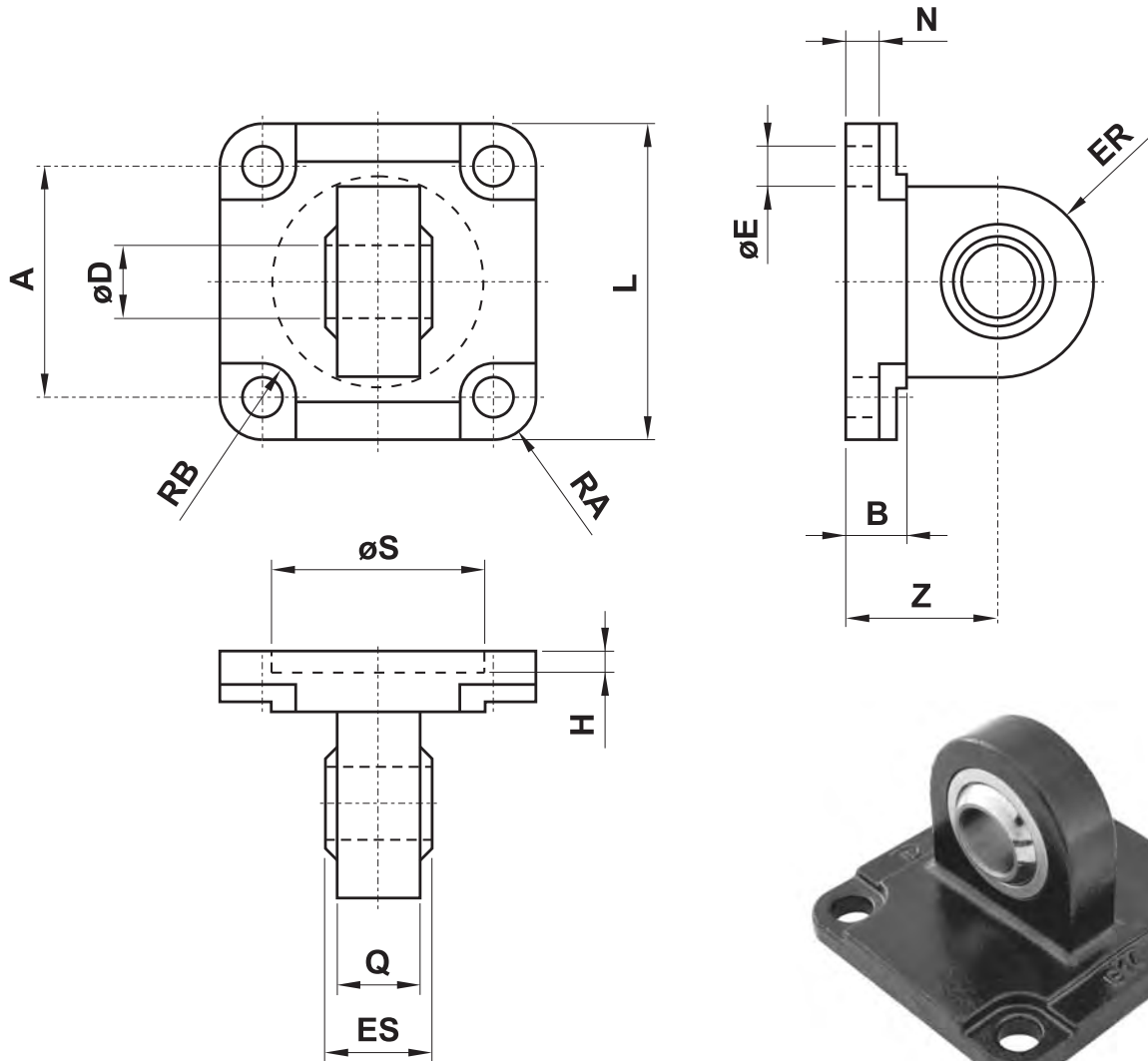


6

Materiale: acciaio AVP; trattamento superficiale: cataforesi nera
Material: steel AVP; surface treatment: black cataphoresis

codice part number	per alesaggio for bore	L	ES	A	Z	H	B	N	S	D	E	RB	ER	RA
in acciaio in steel														
26.019.2AC	32	45	26	32.5	22	5	8	5.5	30	10	6.6	5.5	10	6.25
26.020.2AC	40	55	28	38	25	5	8	5.5	35	12	6.6	5.5	12	8.5
26.021.2AC	50	65	32	46.5	27	5	10	6.5	40	12	9	7.5	12	9.25
26.022.2AC	63	75	40	56.5	32	5	10	6.5	45	16	9	7.5	15	9.25
26.023.2AC	80	95	50	72	36	5	13	10	45	16	11	9	15	11.5
26.024.2AC	100	115	60	89	41	5	13	10	55	20	11	9	20	13
26.025.2AC	125	140	70	110	50	7	16	10	60	25	13.5	10	25	15
26.026.2AC	160	180	90	140	55	7	20	10	65	30	18	13	25	20
26.027.2AC	200	220	90	175	60	7	20	11	75	30	18	13	25	22

CERNIERA MASCHIO STRETTA IN ACCIAIO CON TESTINA SNODATA DIN 648 K (narrow male hinge in steel with articulated head DIN 648 K)

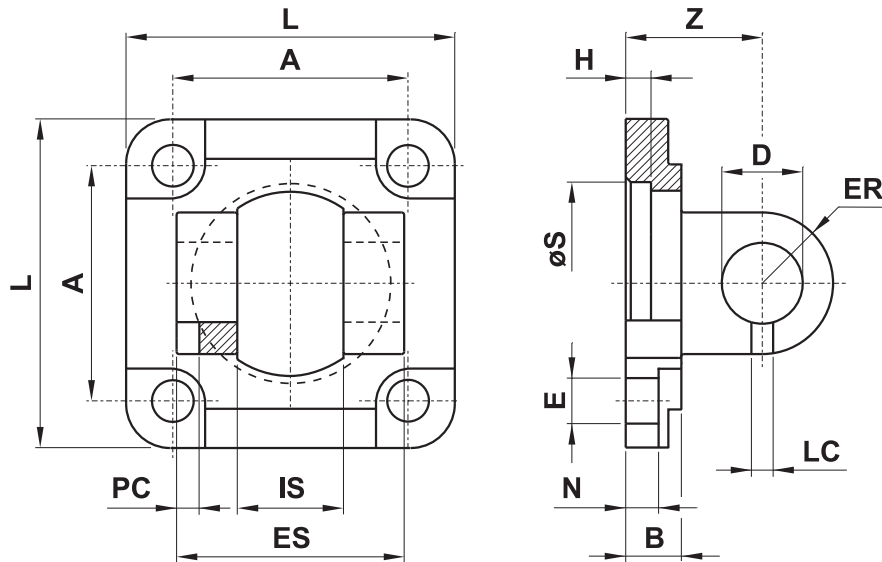


Materiale: acciaio AVP; trattamento superficiale: cataforesi nera

Material: steel AVP; surface treatment: black cataphoresis

codice part number	per alesaggio for bore	A	Q	Z	D	ER	S	B	E	L	RB	N	H	RA	ES
in acciaio in steel															
26.079.2AC	32	32.5	10.5	22	10	15	30	8	6.6	45	5.5	5.5	5	6.25	14
26.080.2AC	40	38	12	25	12	18	35	8	6.6	55	5.5	5.5	5	8.5	16
26.081.2AC	50	46.5	15	27	16	20	40	10	9	65	7.5	6.5	5	9.25	21
26.082.2AC	63	56.5	15	32	16	23	45	10	9	75	7.5	6.5	5	9.25	21
26.083.2AC	80	72	18	36	20	27	45	13	11	95	9	10	5	11.5	25
26.084.2AC	100	89	18	41	20	30	55	13	11	115	9	10	5	13	25
26.085.2AC	125	110	25	50	30	40	60	16	13.5	140	10	10	7	15	37

CERNIERA FEMMINA STRETTA IN ACCIAIO, CON PERNO (narrow female hinge in steel, with pin)

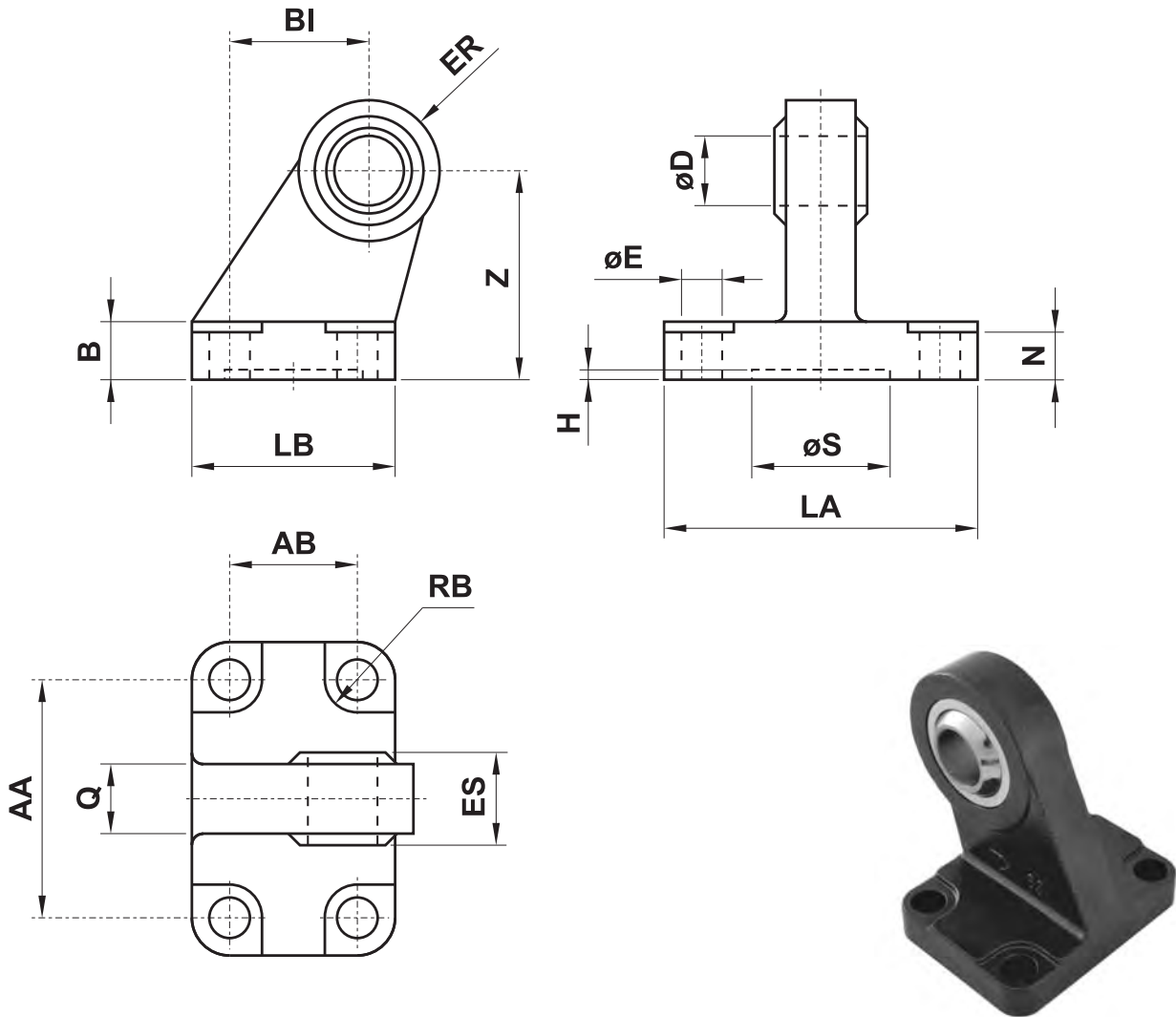


Materiale: acciaio AVP; trattamento superficiale: cataforesi nera

Material: steel AVP; surface treatment: black cataphoresis

codice part number	per alesaggio for bore	L	ES	IS	A	Z	H	B	N	S	D	E	PC	LC	ER
in acciaio in steel															
26.330.2AC	32	45	34	14	32.5	22	5	8	5.5	30	10	6.6	3	3.3	10
26.331.2AC	40	55	40	16	38	25	5	8	5.5	35	12	6.6	4	4.3	12
26.332.2AC	50	65	45	21	46.5	27	5	10	6.5	40	16	9	4	4.3	15
26.333.2AC	63	75	51	21	56.5	32	5	10	6.5	45	16	9	4	4.3	15
26.334.2AC	80	95	65	25	72	36	5	13	10	45	20	11	4	4.3	20
26.335.2AC	100	115	75	25	89	41	5	13	10	55	20	11	4	4.3	20
26.336.2AC	125	140	97	37	110	50	7	16	10	60	30	13.5	6	6.3	30

CONTROCERNIERA RETTANGOLARE IN ACCIAIO CON TESTINA SNODATA DIN 648 K (rectangular joint in steel with articulated head DIN 648 K)



Materiale: acciaio AVP; trattamento superficiale: cataforesi nera

Material: steel AVP; surface treatment: black cataphoresis

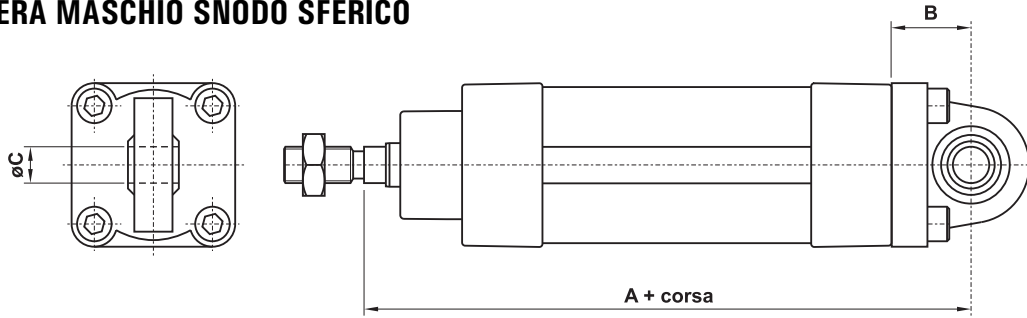
codice part number	per alesaggio for bore	E	RB	AB	LB	BI	B	Z	AA	LA	ER	Q	D	N	S	H	ES
26.441.2AC	32	6.6	5.5	18	31	21	10	32	38	51	15	10.5	10	8.5	20	5	14
26.442.2AC	40	6.6	5.5	22	35	24	10	36	41	54	18	12	12	8.5	25	5	16
26.443.2AC	50	9	7.5	30	45	33	12	45	50	65	20	15	16	10.5	30	5	21
26.444.2AC	63	9	7.5	35	50	37	12	50	52	67	23	15	16	10.5	35	5	21
26.445.2AC	80	11	9	40	60	47	14	63	66	86	27	18	20	11.5	45	5	25
26.446.2AC	100	11	9	50	70	55	15	71	76	96	30	18	20	12.5	55	5	25
26.447.2AC	125	13.5	10	60	90	70	20	90	94	124	40	25	30	17	65	7	37

fissaggi per cilindri ISO 15552 (ex ISO 6431)

fixing elements for cylinders ISO 15552 (ex ISO 6431)

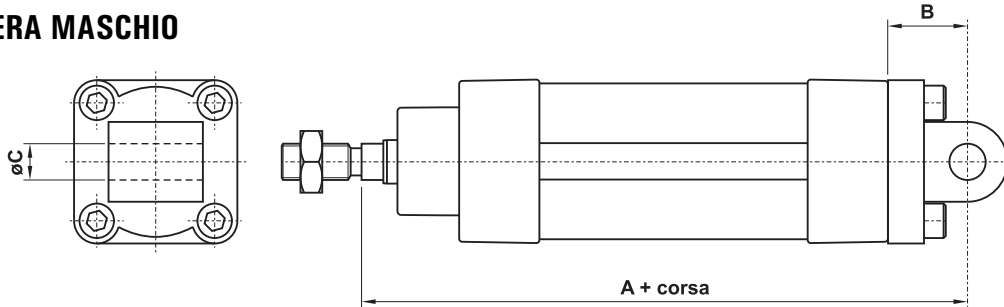


CERNIERA MASCHIO SNODO SFERICO



CMSS...

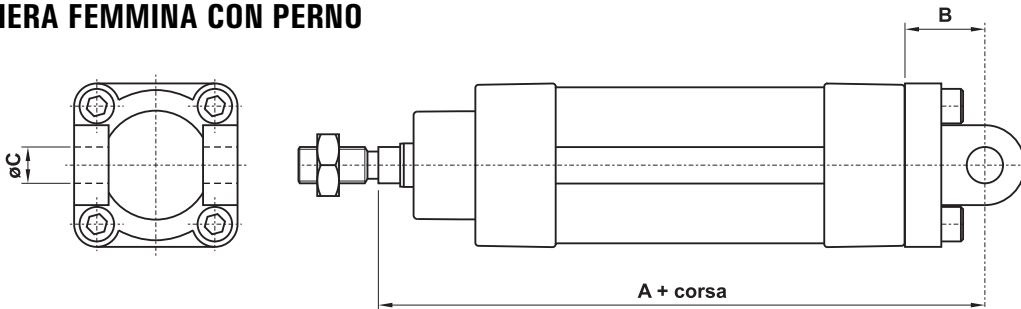
CERNIERA MASCHIO



CMIS...

CMKS...

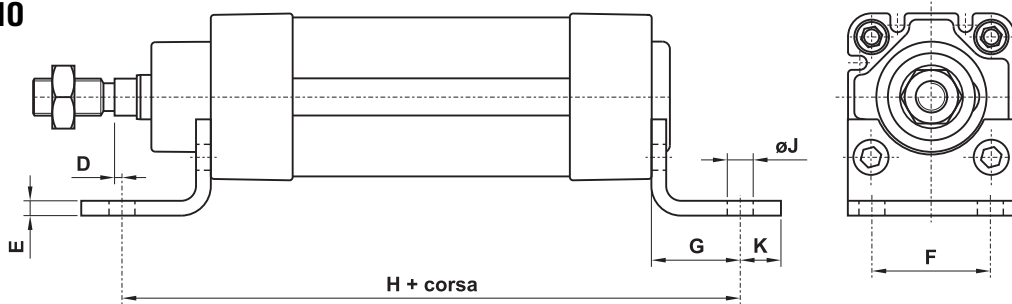
CERNIERA FEMMINA CON PERNO



CFIS...

CFKS...

PIEDINO



PBIS...

Ø	A	B	C	D	E	F	G	H	J	K
32	142	22	10	2	4	32	24	142	7	11
40	160	25	12	2	4	36	28	161	9	8
50	170	27	12	5	5	45	32	170	9	15
63	190	32	16	5	5	50	32	185	9	13
80	210	36	16	5	6	63	41	210	12	14
100	230	41	20	10	6	75	41	220	14	16
125	275	50	25	20	8	90	45	250	16	25
160	315	55	30	20	9	115	60	300	18	15
200	335	60	30	25	12	135	70	320	22	30

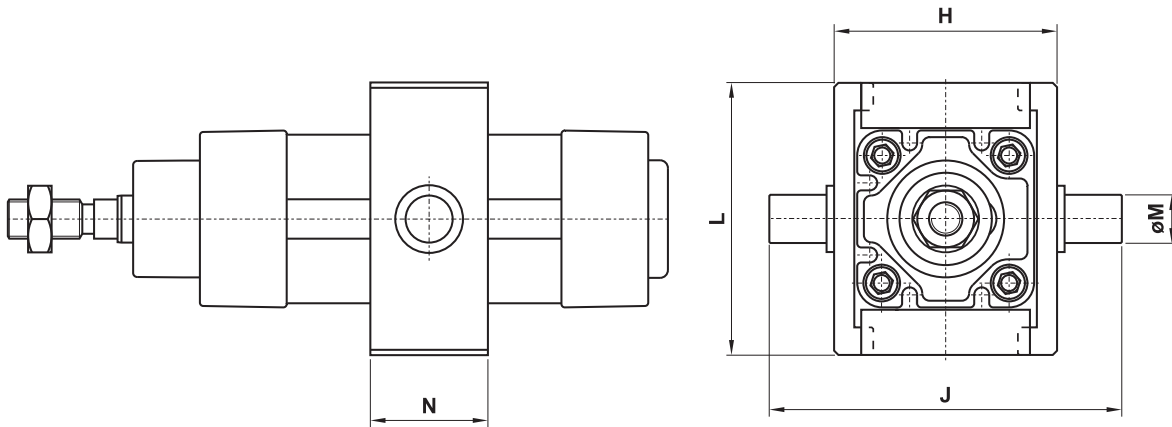
fissaggi per cilindri ISO 15552 (ex ISO 6431)

fixing elements for cylinders ISO 15552 (ex ISO 6431)



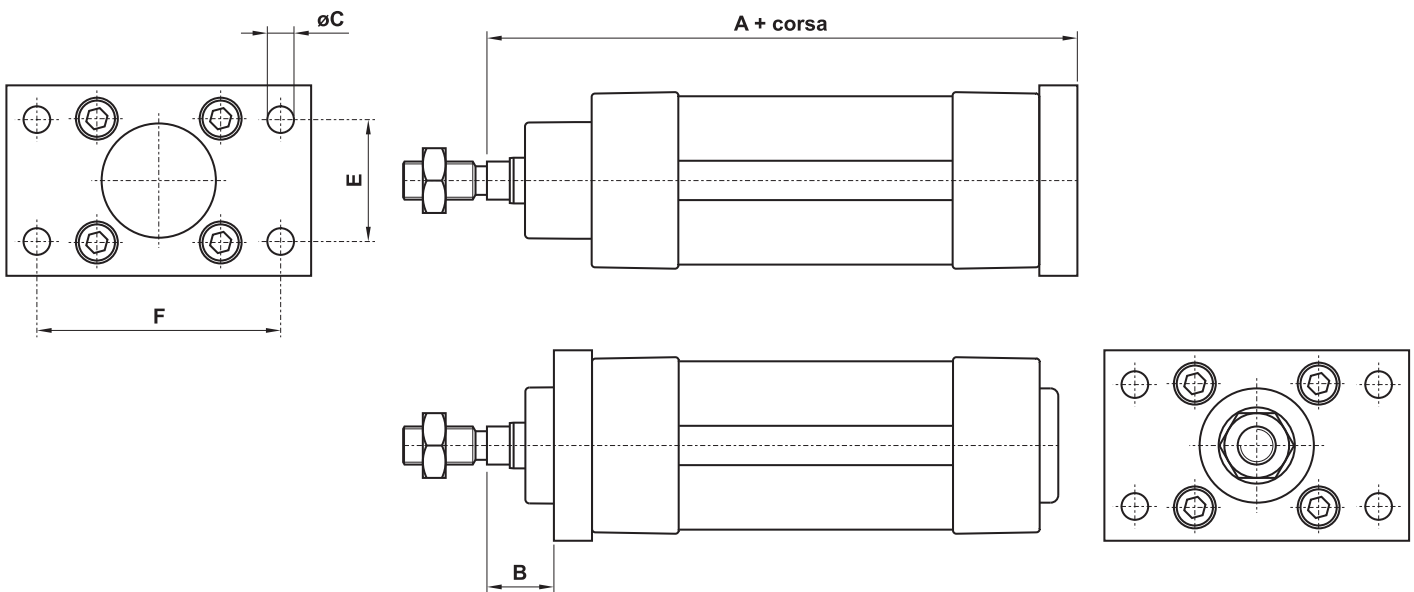
CERNIERA INTERMEDIA PER ESTRUSO - SOLO PER SERIE "N"

CIN...
CSIS...TI



FLANGIA

FLIS...



Ø	A	B	C	E	F	H	J	L	M	N
32	130	16	7	32	64	52	87	65	12	25
40	145	20	9	36	72	62	105	74.8	16	25
50	155	25	9	45	90	74	117	90.3	16	25
63	170	25	9	50	100	91	136	94.5	20	30
80	190	30	12	63	126	111	156	109.3	20	30
100	205	35	14	75	150	129	195	134	25	40
125	245	45	16	90	180	156.7	222.7	160	25	40
160	280	60	18	115	230	190	262	200	32	40
200	300	70	22	135	270	240	312	250	32	40